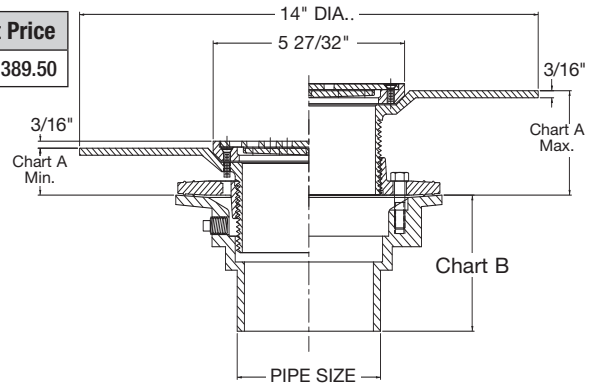


## Finished Area Floor Drains

### FD-100-H Floor Drain with Elastomeric Flange



| Model Number   | Weight (lbs.) | Str. Size | Outlet Size | Strainer      | List Price |
|----------------|---------------|-----------|-------------|---------------|------------|
| FD-102, 3, 4-H | 15            | 6"        | 2,3,4"      | nickel bronze | \$1,389.50 |



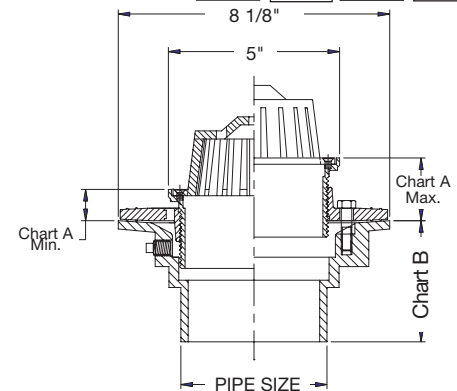
| Chart A       |      |        |
|---------------|------|--------|
| Strainer Dia. | Min. | Max.   |
| 6"            | 7/8" | 3 1/4" |

| Chart B   |        |         |               |              |         |
|-----------|--------|---------|---------------|--------------|---------|
| Pipe Size | No Hub | Push On | Female Thread | Inside Caulk | PVC/ABS |
| 2"        | 3 5/8" | 4 1/4"  | 4 1/4"        | 4 1/2"       | 4"      |
| 3"        | 3 5/8" | 4 1/4"  | 4 1/4"        | 4 1/2"       | 4"      |
| 4"        | 3 5/8" | 4 1/4"  | 4 1/4"        | 4 1/2"       | 4"      |
| 6"        | 3 1/2" | -       | -             | -            | -       |

### FD-100-K Floor Drain with Dome Strainer



| Model Number   | Weight (lbs.) | Str. Size | Outlet Size | Strainer      | List Price |
|----------------|---------------|-----------|-------------|---------------|------------|
| FD-102, 3, 4-K | 11            | 5" dome   | 2,3,4"      | nickel bronze | \$680.00   |



| Chart A       |        |        |
|---------------|--------|--------|
| Strainer Dia. | Min.   | Max.   |
| 5"            | 13/16" | 3 1/4" |

| Chart B   |        |         |               |              |         |
|-----------|--------|---------|---------------|--------------|---------|
| Pipe Size | No Hub | Push On | Female Thread | Inside Caulk | PVC/ABS |
| 2"        | 3 5/8" | 4 1/4"  | 4 1/4"        | 4 1/2"       | 4"      |
| 3"        | 3 5/8" | 4 1/4"  | 4 1/4"        | 4 1/2"       | 4"      |
| 4"        | 3 5/8" | 4 1/4"  | 4 1/4"        | 4 1/2"       | 4"      |
| 6"        | 3 1/2" | -       | -             | -            | -       |

Note: Funnels are ordered separately. See page 63 for details.

#### Options for FD-100 Series:

| Suffix | Description                              | List Price | Suffix | Description                              | List Price |
|--------|--|------------|--------|--|------------|
| None   | No Hub Outlet                            | No Add     | -13    | Galvanized Body                          | \$195.50   |
| P      | Push-On Outlet                           | No Add     | -15    | Strainer Extension (DD-50)               | 141.00     |
| T      | Threaded Outlet                          | \$80.00    | -60    | PVC Body w/Socket Outlet (2, 3, 4" Only) | No Add     |
| X      | Inside Caulk                             | No Add     | -61    | ABS Body w/Socket Outlet (2, 3, 4" Only) | No Add     |
| None   | 6" Outlet No Hub Only                    | 120.00     | -F4-50 | 4" Round Cast Iron Funnel                | 179.00     |
| -5     | Sediment Bucket                          | 108.00     | -F4-1  | 4" Round Nickel Bronze Funnel            | 428.00     |
| -6     | Vandal Proof                             | 54.50      | -F6-1  | 6" Round Nickel Bronze Funnel            | 625.50     |
| -7     | Trap Primer Tapping                      | No Add     | -G-50  | 4x9" Oval Cast Iron Funnel               | 423.00     |
| -8     | Ball Float Backwater Valve (2,3,4" Only) | 377.50     | -G-1   | 4x9" Oval Nickel Bronze Funnel           | 872.00     |
|        |  |            | -S0    | Side Outlet (2, 3, 4" Only)              | 218.00     |